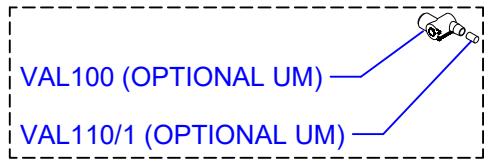


Optional " PUMP"

POM202.15004

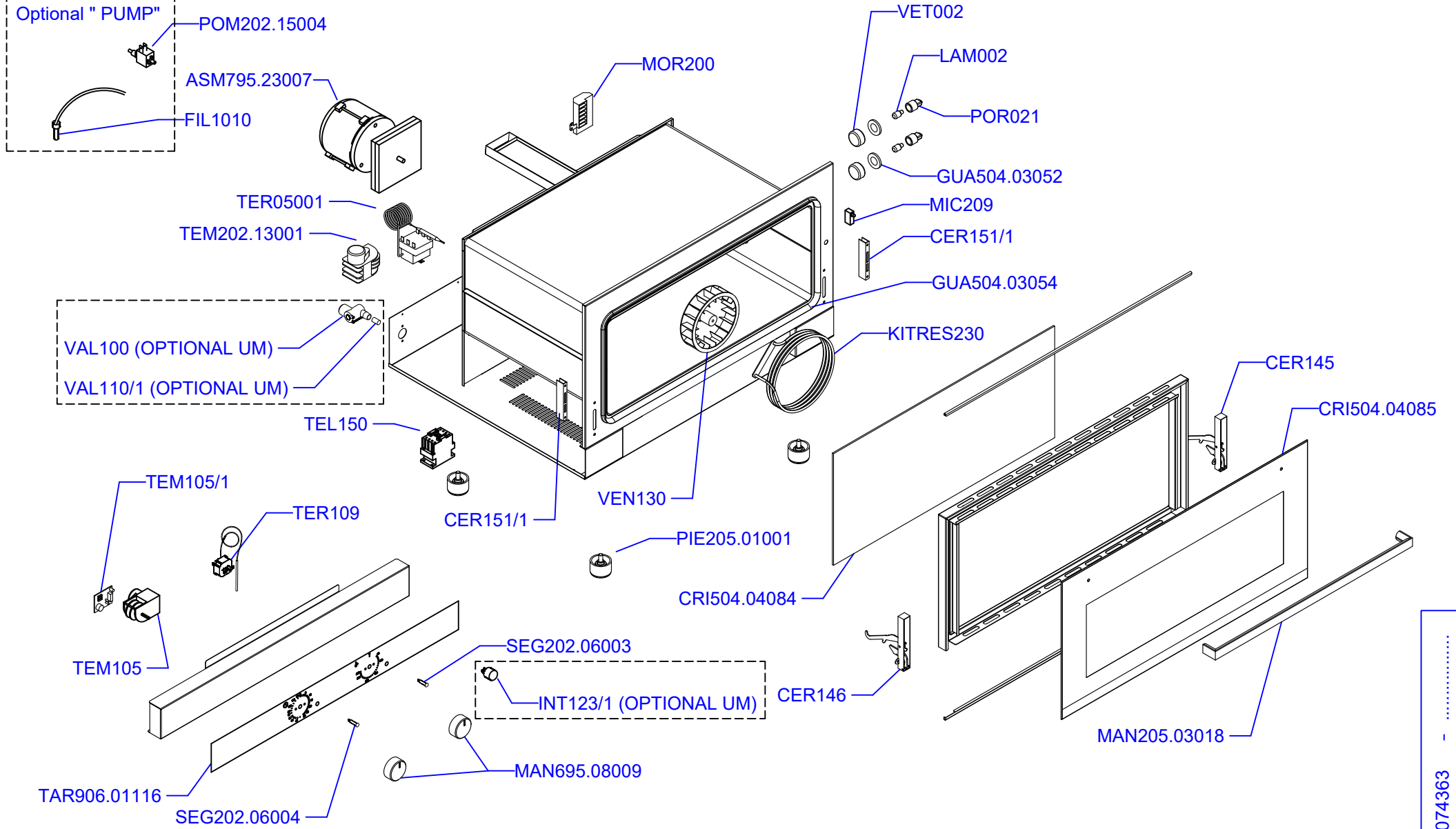
ASM795.23007

FIL1010



VAL100 (OPTIONAL UM)

VAL110/1 (OPTIONAL UM)



MOR200

VET002

LAM002

POR021

GUA504.03052

MIC209

CER151/1

GUA504.03054

KITRES230

CER145

CRI504.04085

TEL150

VEN130

PIE205.01001

CRI504.04084

MAN205.03018

TEM105/1

TER109

CER151/1

SEG202.06003

INT123/1 (OPTIONAL UM)

MAN695.08009

TEM105

TAR906.01116

SEG202.06004





IT

GB

FR

DE

ES

ASM795.23007  
 CER145  
 CER146  
 CER151/1  
 CRI504.04084  
 CRI504.04085  
 FIL1010  
 GUA504.03052  
 GUA504.03054  
 KITRES230  
 LAM002  
 MAN695.08009  
 MAN205.03018  
 MIC209  
 MOR200  
 PIE205.01001  
 POM202.15004  
 POR021  
 SEG202.06003  
 SEG202.06004  
 TAR906.01116  
 TEL150  
 TEM105  
 TEM105/1  
 TEM202.13001  
 TER05001  
 TER109  
 VAL100  
 VAL110/1  
 VEN130  
 VET002

MOTORE MONOFASE  
 CERNIERA DESTRA  
 CERNIERA SINISTRA  
 PORTARULLINO PER CERNIERA  
 CRISTALLO INTERNO  
 CRISTALLO ESTERNO  
 FILTRO  
 GUARNIZIONE PORTALAMPADA  
 GUARNIZIONE PORTA INTERNA  
 RESISTENZA  
 LAMPADA  
 MANOPOLA  
 MANIGLIA  
 MICROINTERRUTTORE PORTA  
 MORSETTIERA ALIMENTAZIONE  
 PIEDINO  
 POMPA  
 PORTALAMPADA  
 SEGNALETORE LUMINOSO  
 SEGNALETORE LUMINOSO  
 TARGA SERIGRAFATA  
 TELERUTTORE  
 TEMPORIZZATORE  
 AVVISATORE ACUSTICO  
 TEMPORIZZATORE A CAMME  
 TERMOSTATO DI SICUREZZA  
 TERMOSTATO  
 ELETTROVALVOLA UMIDIFICATORE  
 RIDUTTORE DI PORTATA  
 VENTOLA  
 VETRO PORTALAMPADA

SINGLE-PHASE MOTOR  
 RIGHT-HAND HINGE  
 LEFT-HAND HINGE  
 PIVOT HOLDER FOR HINGE  
 INTERNAL PLATE GLASS  
 EXTERNAL PLATE GLASS  
 FILTER  
 LIGHT-HOLDING SEAL  
 INTERNAL DOOR SEAL  
 RESISTOR  
 LAMP  
 KNOB  
 HANDLE  
 DOOR MICRO-SWITCH  
 SUPPLY TERMINAL BOARD  
 FOOT  
 PUMP  
 LAMPHOLDER  
 LIGHT INDICATOR  
 LIGHT INDICATOR  
 SCREEN PRINTED PLATE  
 REMOTE CONTROL SWITCH  
 TIMER  
 BUZZER  
 CAM TIMER  
 SAFETY THERMOSTAT  
 THERMOSTAT  
 SOLENOID VALVE  
 FLOW-RATE REDUCTION UNIT  
 FAN  
 LIGHT-HOLDING GLASS

MOTEUR MONOPHASÉ  
 CHARNIÈRE DROITE  
 CHARNIÈRE GAUCHE  
 PORTE AIGUILLE DE ROULEMENT  
 VITRE INTERNE  
 VITRE EXTERNE  
 FILTRE  
 JOINT PORTE-LAMPE  
 JOINT PORTE INTERNE  
 RÉSISTANCE  
 LAMPE  
 MANETTE  
 POIGNÉE  
 MINIRUPTER PORTE  
 BORNE ALIMENTATION  
 PIED  
 POMPE  
 PORTE-LAMPE  
 SIGNAL LUMINEUX  
 SIGNAL LUMINEUX  
 PLAQUE SERIGRAPHIÉE  
 TÉLÉRUPTEUR  
 TEMPORISATEUR  
 AVERTISSEUR ACOUSTIQUE  
 TEMPORISATEUR CAMES  
 THERMOSTAT DE SÉCURITÉ  
 THERMOSTAT  
 ELECTROSOUPAPE  
 RÉDUCTEUR DE DÉBIT  
 VENTILATEUR  
 VERRE PORTE-LAMPE

EINPHASIGER MOTOR  
 RECHTES SCHARNIER  
 LINKES SCHARNIER  
 ROLLENTÄGER FÜR SCHARNIER  
 INNENGLAS  
 AUSSENGLAS  
 FILTER  
 DICHTUNG LAMPENFASSUNGS  
 DICHTUNG INNENTÜR  
 WIDERSTAND  
 LAMPEN  
 BEDIENKNOPF  
 GRIFF  
 MIKROSCHALTER TÜR  
 VERSORGUNGSKLEMMENLEISTE  
 FUSS  
 PUMPE  
 LAMPENFASSUNG  
 LEUCHTMELDER  
 LEUCHTMELDER  
 SIBDRUCKSCHILD  
 SCHÜTZ  
 ZEITSCHALTUHR  
 SUMMER  
 OKEN ZEITSCHALTUHR  
 SICHERHEITSTHERMOSTAT  
 THERMOSTAT  
 MAGNETVENTIL  
 STROMVENTIL  
 LÜFTERRAD  
 LAMPENFASSUNGSGLAS

MOTOR MONOFÁSICO  
 BISAGRA DERECHA  
 BISAGRA IZQUIERDO  
 SOSTENIDOR PAR BISAGRA  
 CRISTAL INTERIOR  
 CRISTAL EXTERIOR  
 FILTRO  
 BURLETE PORTA-LÁMPARA  
 BURLETE PUERTA INTERIOR  
 RESISTENCIA  
 LAMPARA  
 MANOPLA  
 MANIJA  
 MICRO INTERRUPTOR PORTE  
 CAJA DE BORNES ALIMENTACIÓN  
 PATA  
 BOMBA  
 PORTA-LÁMPARA  
 SEÑAL LUMINOSA  
 SEÑAL LUMINOSA  
 PLACA SERIGRAFADA  
 TELERUPTOR  
 TEMPORIZADOR  
 AVISO ACÚSTICO  
 TEMPORIZADOR A CAMME  
 TERMOSTATO DE SEGURIDAD  
 TERMOSTATO  
 ELECTROVÁLVULA  
 REDUCTOR DE ALCANCE  
 VENTLADOR  
 CRISTAL PORTA-LÁMPARA